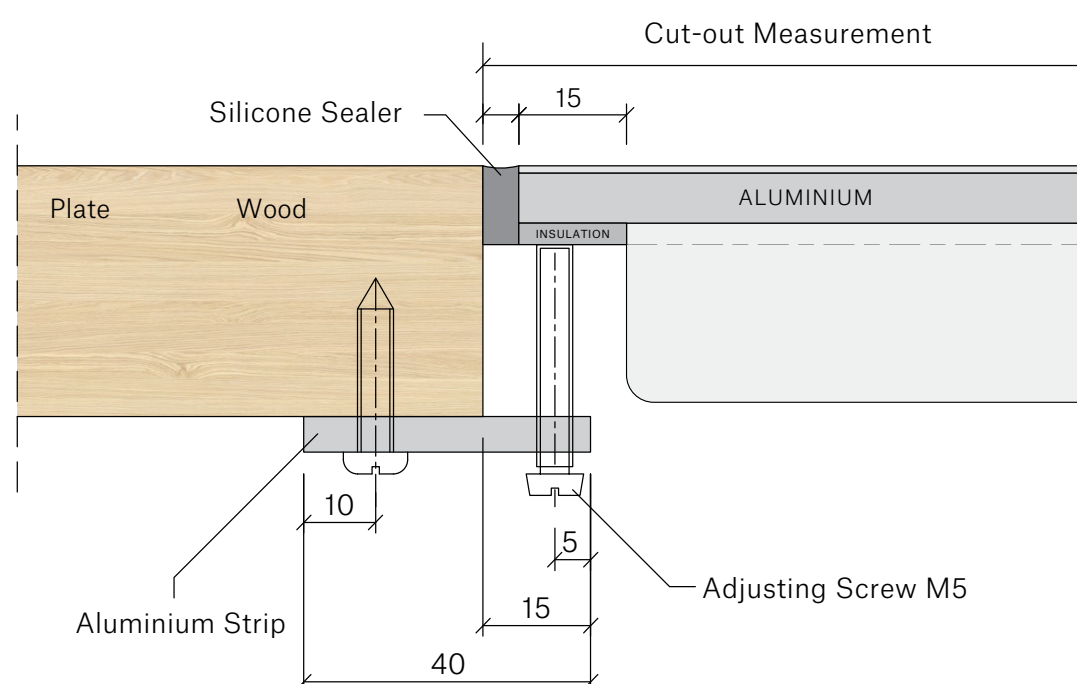
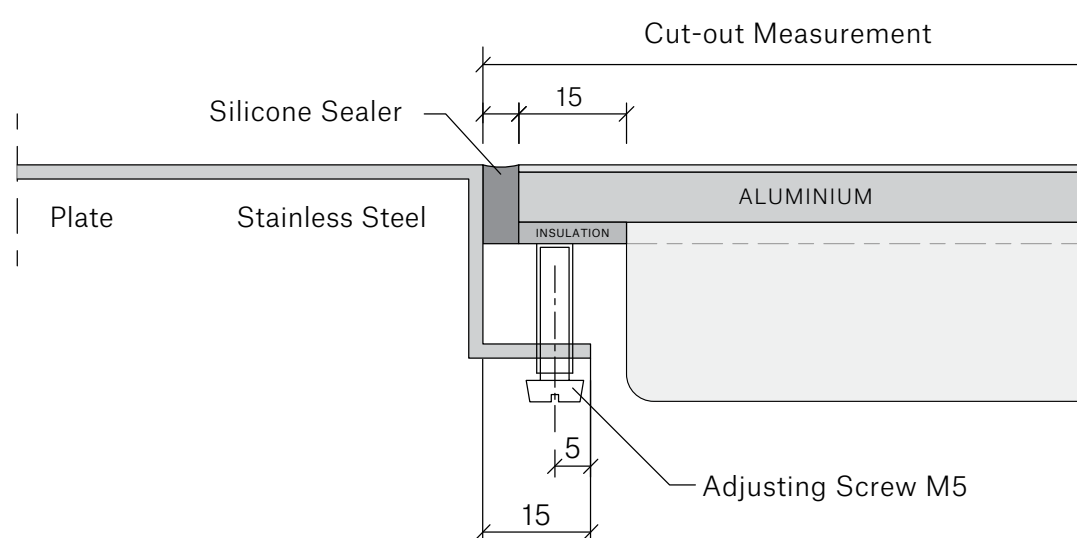
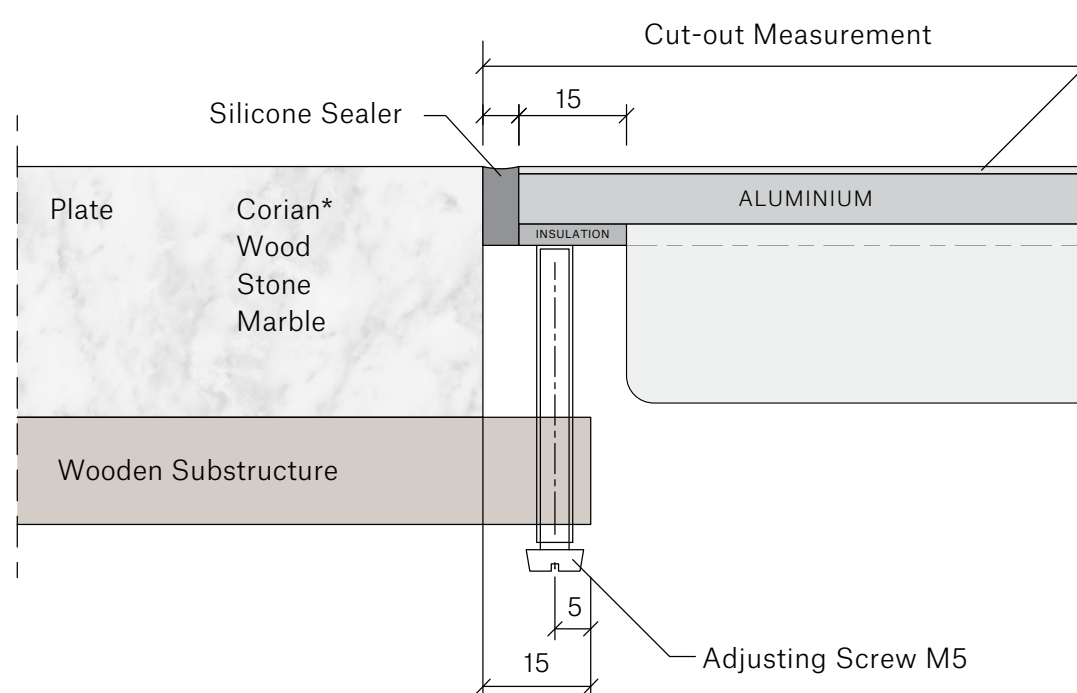


StayHot&Cold Combi Plates / Cold Plates

Installation Alternatives

All measurements in millimeter (mm)

Top Plate	
Stainless Steel	1 mm
Hardened Glass	4 mm
Gorilla® Glass	1,8 mm
Dekton®	12 mm



STAYHOT

Stayhot AB

Knistavägen 1B
191 62 Sollentuna Sweden

Telephone 08 35 79 15
Email info@stayhot.se
Web en.stayhot.se

Installation Height (GN 1/1, 2/1, 3/1)

With Compressor 160 mm
With External Cooling 140 mm

Installation Height (GN 4/1)

With Compressor 250 mm

With Dekton Top, the installation height increases by 10 mm each

Cut-out Dimensions

Wood, Stainless Steel

GN 1/1 340 x 540 mm
GN 2/1 670 x 540 mm
GN 3/1 1000 x 540 mm
GN 4/1 1330 x 540 mm

Cut-out Dimensions

Corian, Dekton, Stone, Marble

GN 1/1 344 x 544 mm
GN 2/1 674 x 544 mm
GN 3/1 1004 x 544 mm
GN 4/1 1334 x 544 mm

Installation Alternatives

We recommend these mounting options for best results. The plate rests against a series of M5 adjusting screws. The cut-out measurements are 5-7 mm larger than the plate on all sides (depending on the surrounding surface). The plate is then sealed with silicone.

Ventilation (Important!)

On-site supply and exhaust air must be taken into account when installing the devices in base cabinets. The open cross-section for the supply air and exhaust air openings must be at least 200 cm², and flow freely over the cooling unit.